

PTO Shafts

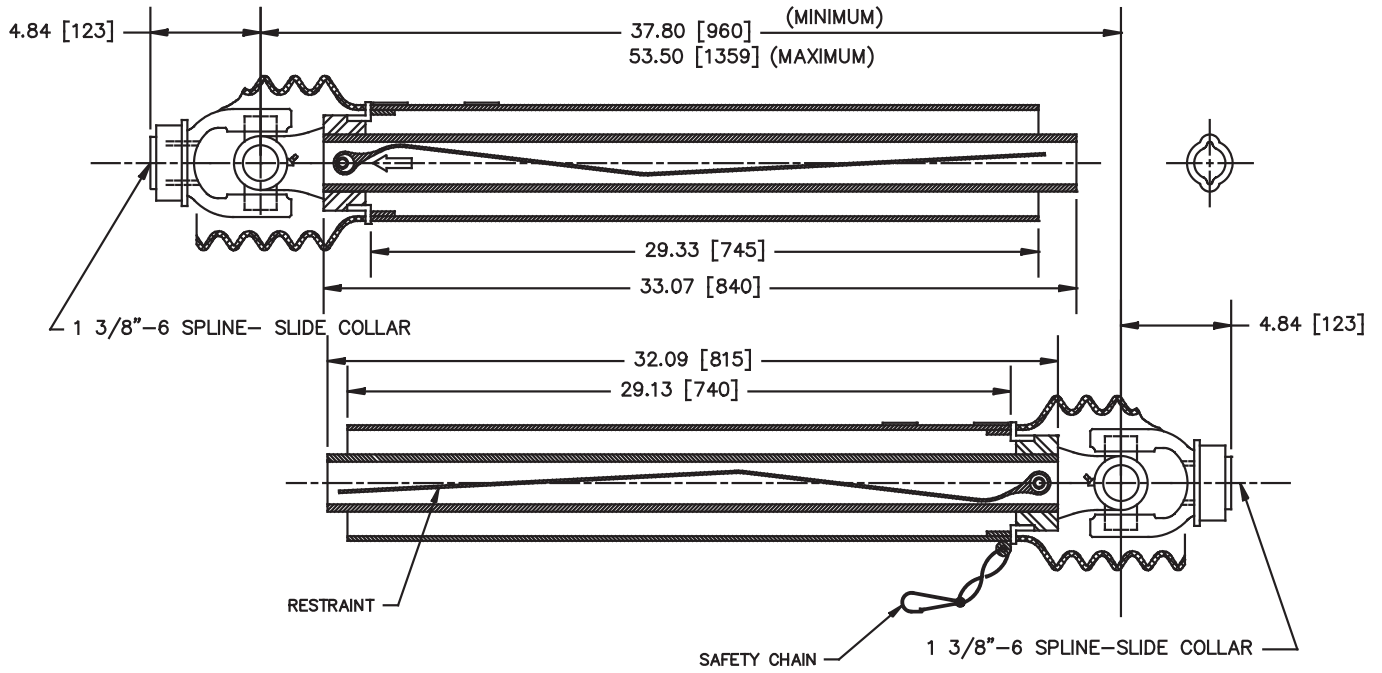
High quality drive shafts ready for every day use.



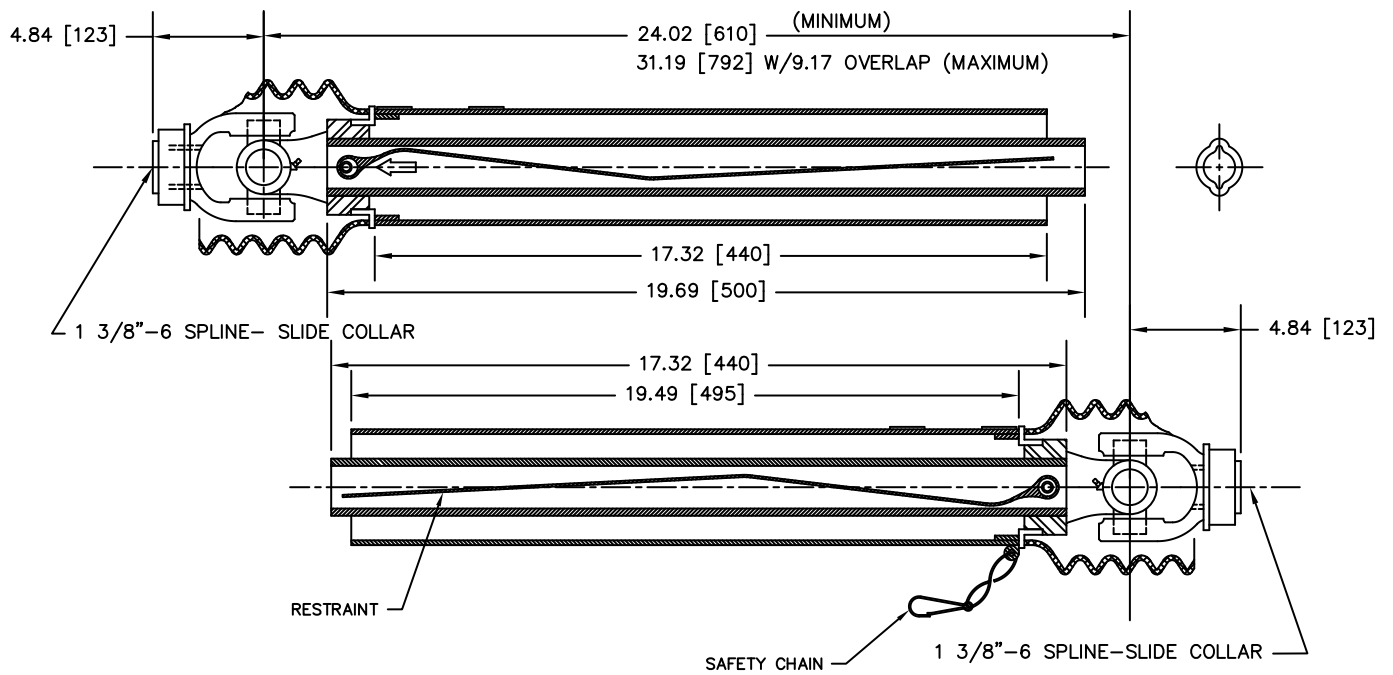
SPECIFICATIONS

PART NUMBER	RPM	GEN END CONNECTION	TRACTOR END CONNECTION	POWER RATING (KW)	SHAFT TRAVEL	SHIPPING DIMENSIONS	SHIPPING WEIGHT
300228	540	1 $\frac{3}{8}$ " - 6 SPLINE	1 $\frac{3}{8}$ " - 6 SPLINE	20	9.1"	49" x 8.5" x 8.5"	24 LBS
SA11310	540	1 $\frac{3}{8}$ " - 6 SPLINE	1 $\frac{3}{8}$ " - 6 SPLINE	20	14.5"	49" x 8.8" x 8.8"	24 LBS
54326-001	540	1 $\frac{3}{8}$ " - 6 SPLINE	1 $\frac{3}{8}$ " - 6 SPLINE	67	15.7"	49" x 8.8" x 8.8"	40 LBS
54327-000	540	1 $\frac{3}{8}$ " - 6 SPLINE	1 $\frac{3}{8}$ " - 6 SPLINE	95	7.2"	49" x 8.5" x 8.5"	40 LBS
SA12300	540	1 $\frac{3}{4}$ " - 20 SPLINE	1 $\frac{3}{8}$ " - 6 SPLINE	124	15.7"	49" x 8.8" x 8.8"	40 LBS
54961-000	1000	1 $\frac{3}{8}$ " - 6 SPLINE	1 $\frac{3}{8}$ " - 21 SPLINE	95	15.7"	49" x 8.8" x 8.8"	40 LBS
54328-000	1000	1 $\frac{3}{8}$ " - 6 SPLINE	1 $\frac{3}{8}$ " - 21 SPLINE	95	7.2"	49" x 8.5" x 8.5"	40 LBS
SA12310	1000	1 $\frac{3}{4}$ " - 20 SPLINE	1 $\frac{3}{4}$ " - 20 SPLINE	124	15.9"	50" x 7.5" x 7.2"	54 LBS
SA12311	1000	1 $\frac{3}{4}$ " - 20 SPLINE	1 $\frac{3}{8}$ " - 21 SPLINE	124	15.9"	50" x 7.5" x 7.2"	54 LBS
SA12320	1000	1 $\frac{3}{4}$ " - 20 SPLINE	1 $\frac{3}{4}$ " - 20 SPLINE	191	15.3"	50" x 7.5" x 7.2"	65 LBS

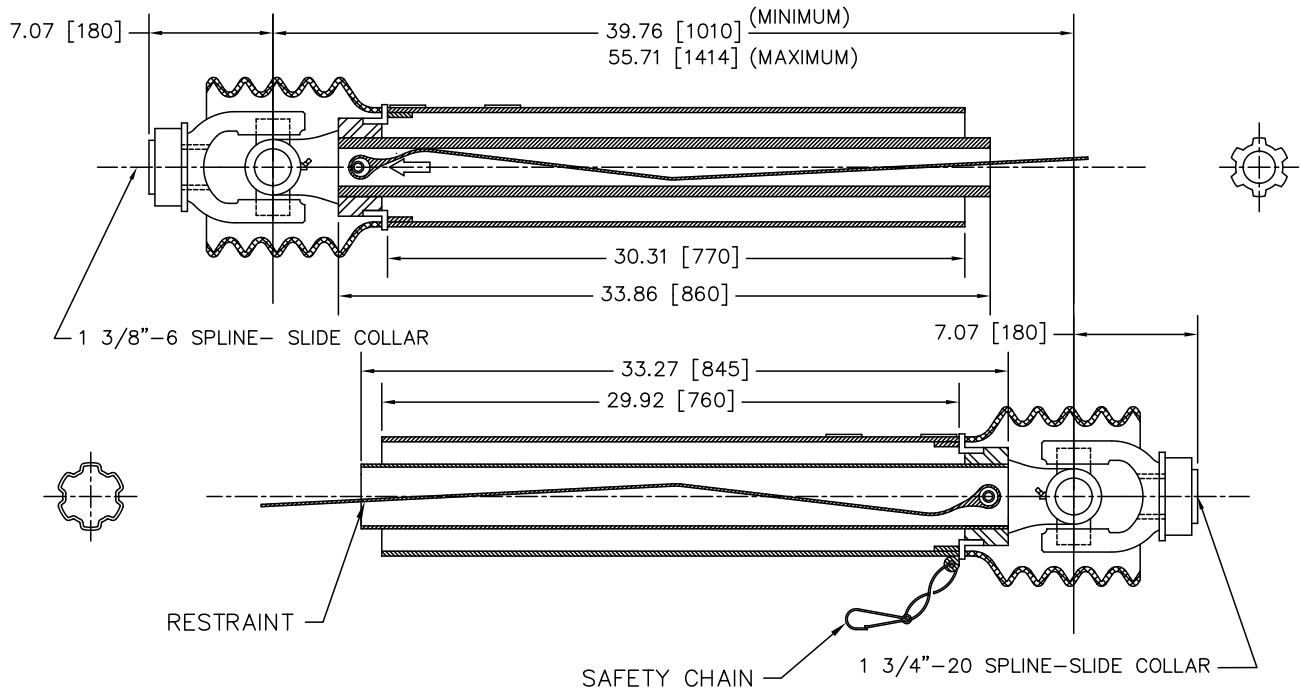
54326-001



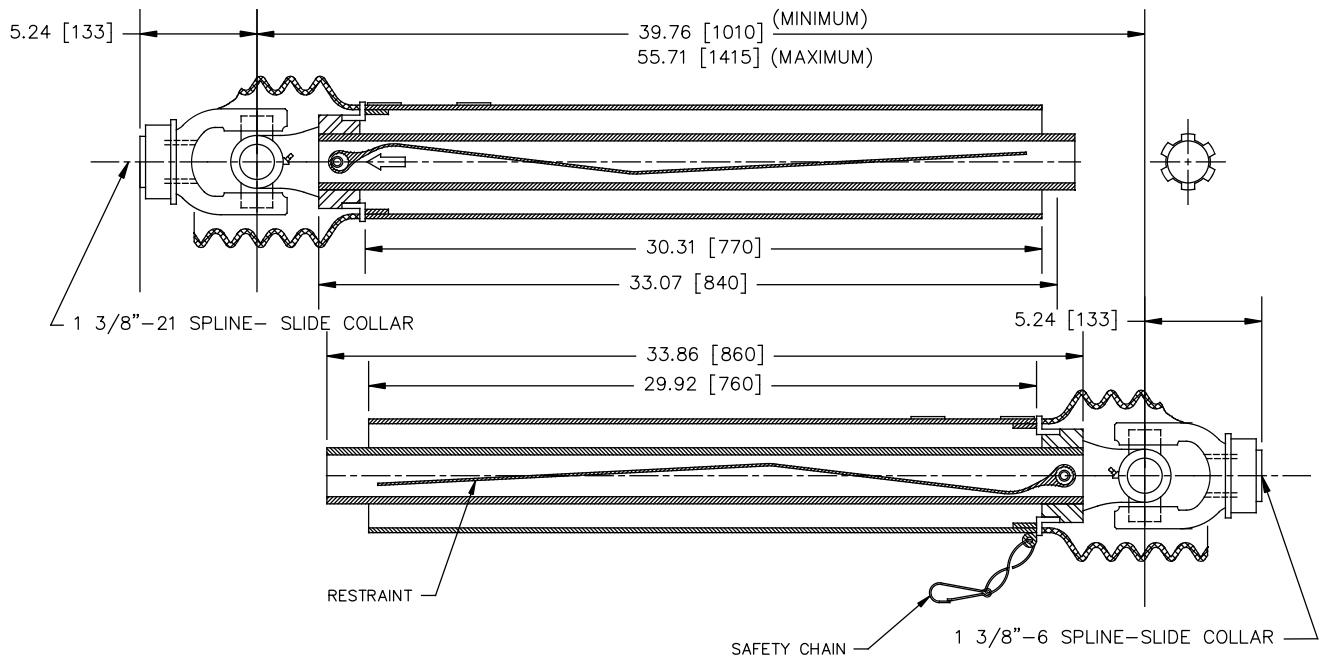
54327-000



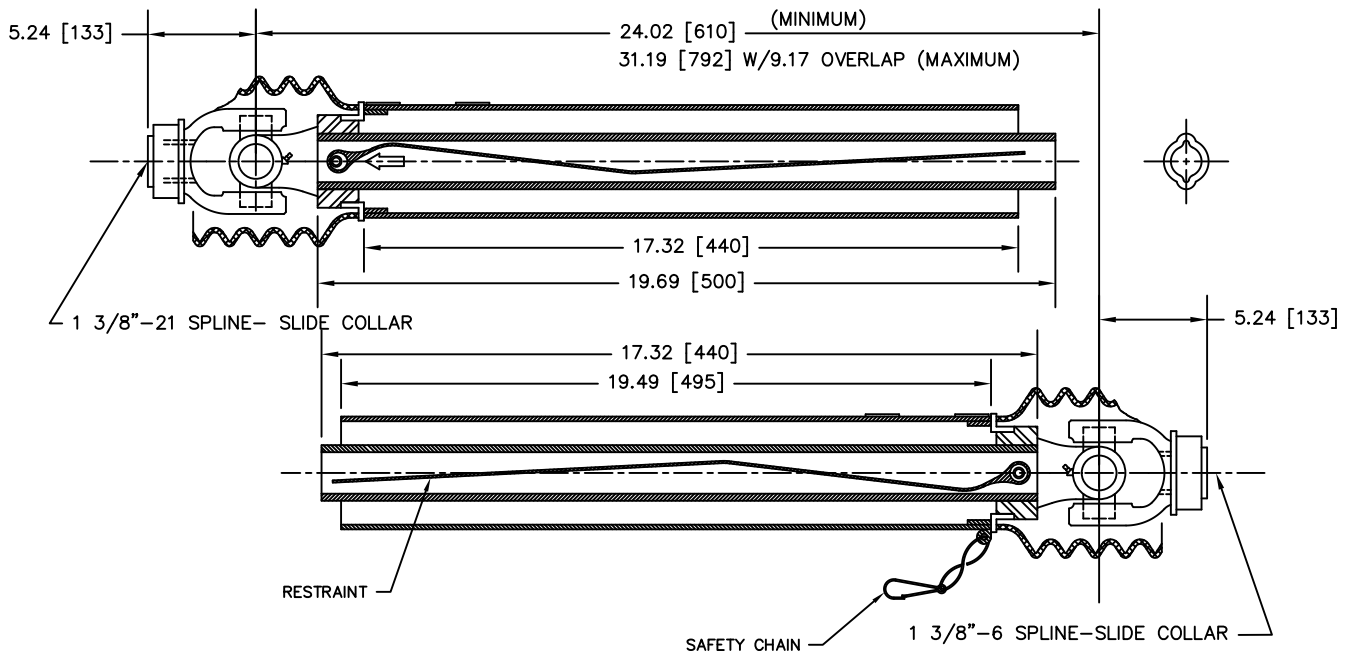
SA12300



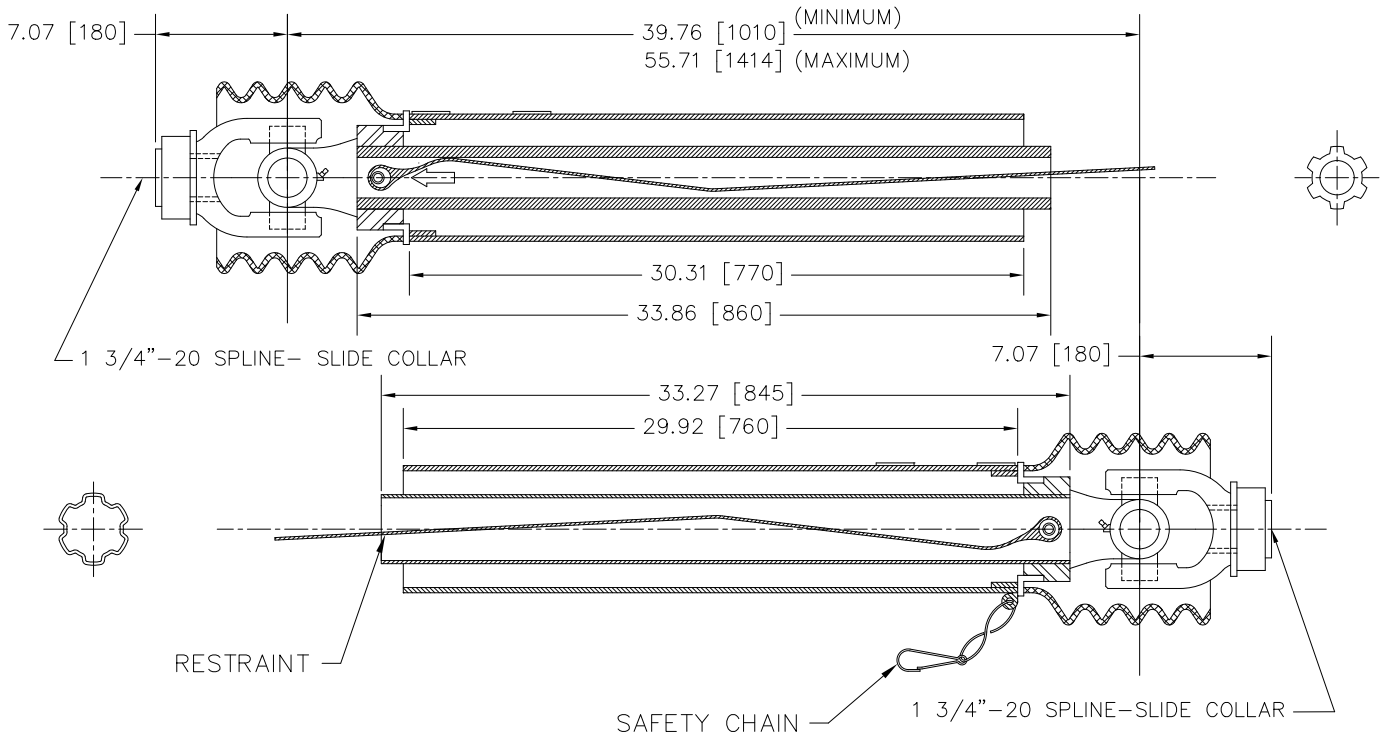
54961-000



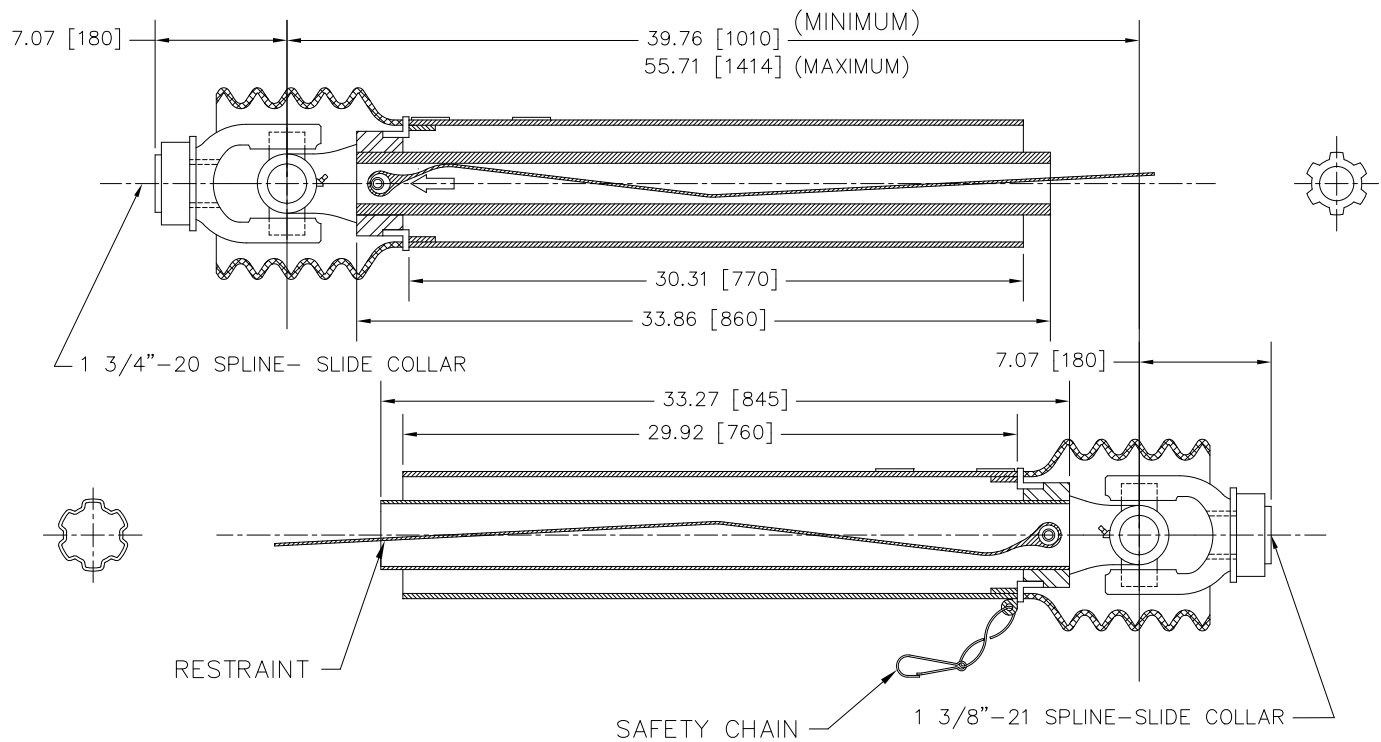
54328-000



SA12310



SA12311



SA12320

